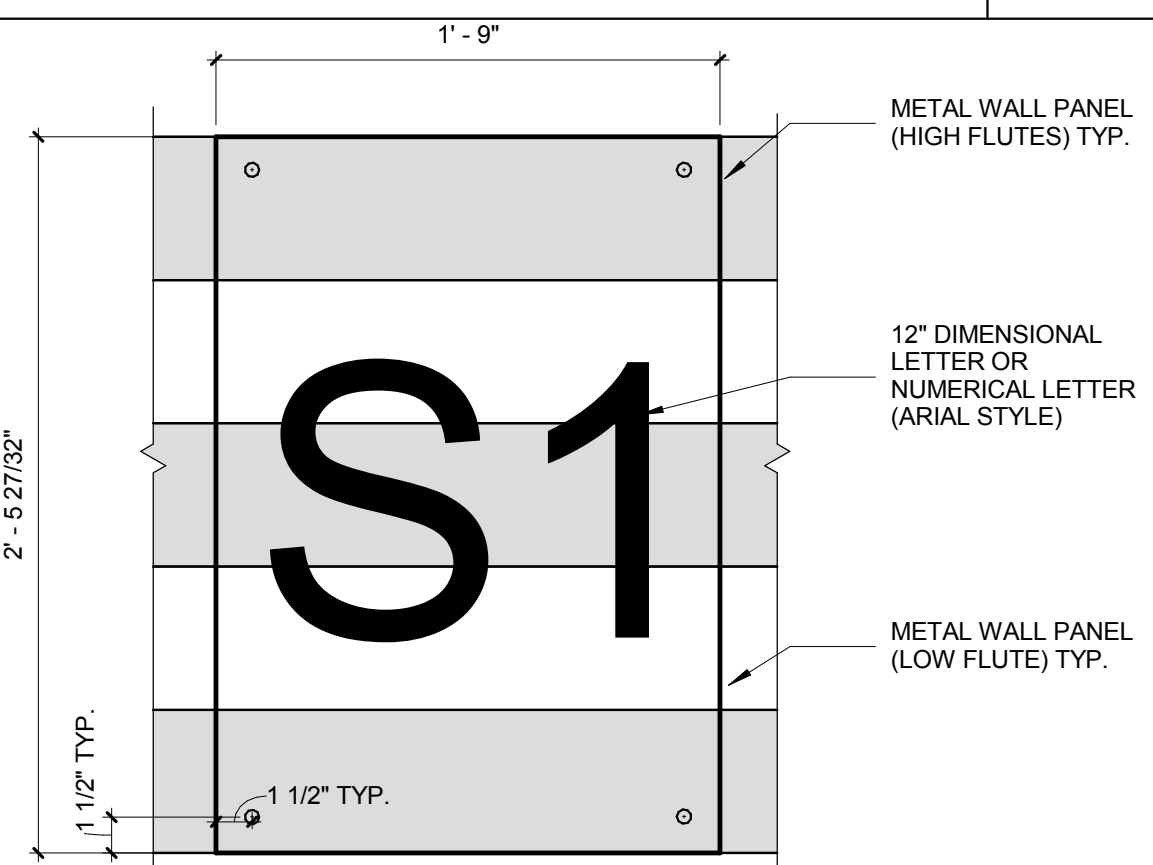
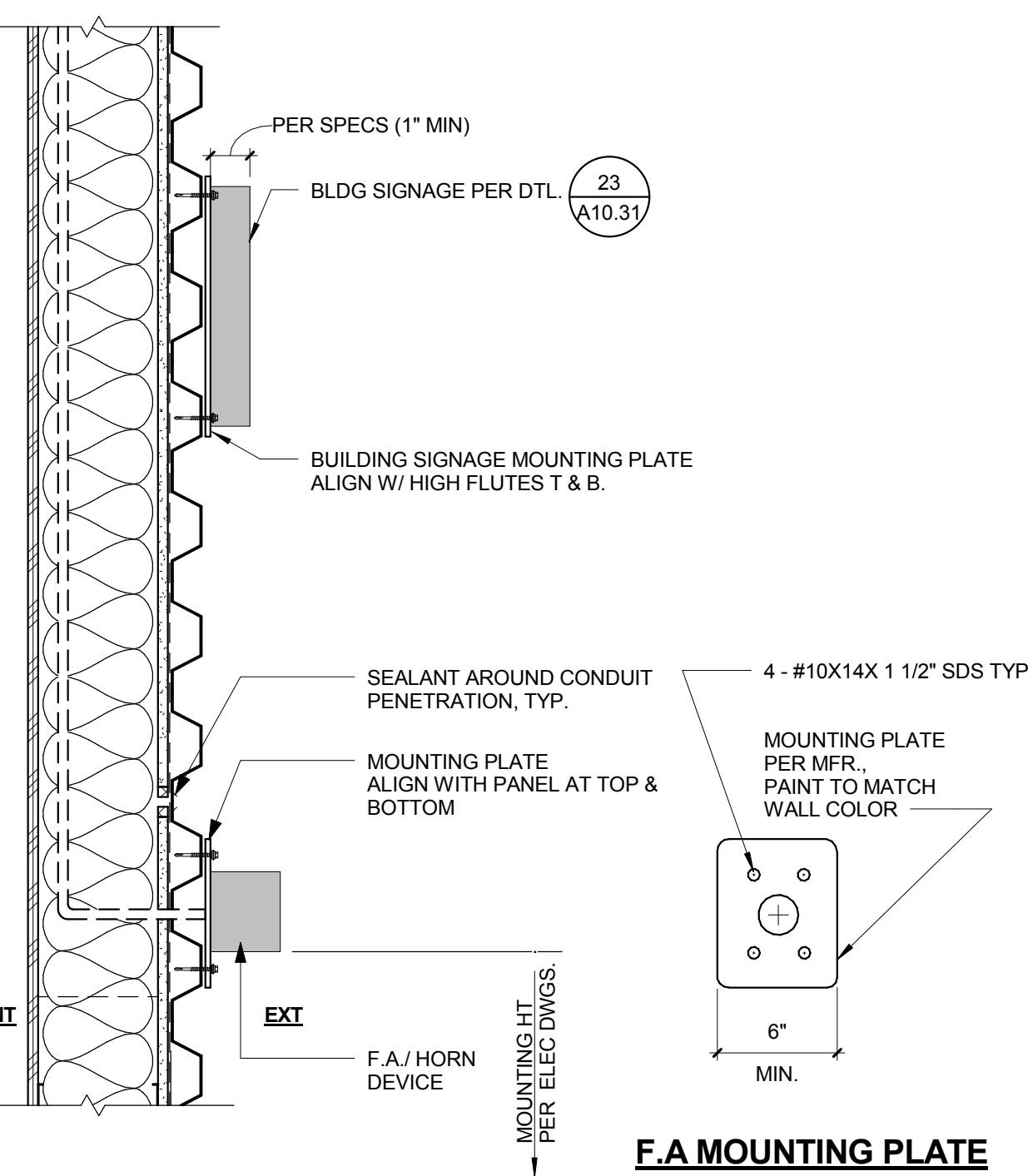


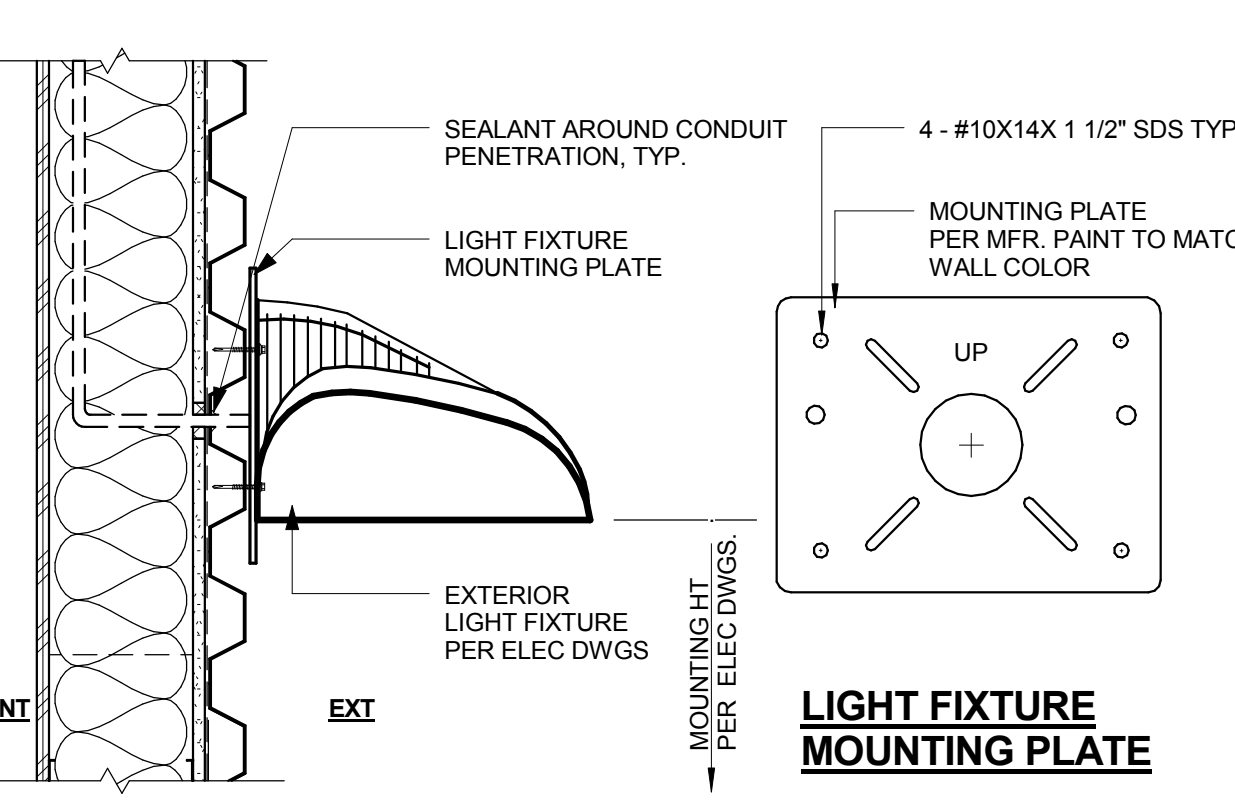
NOT USED 25



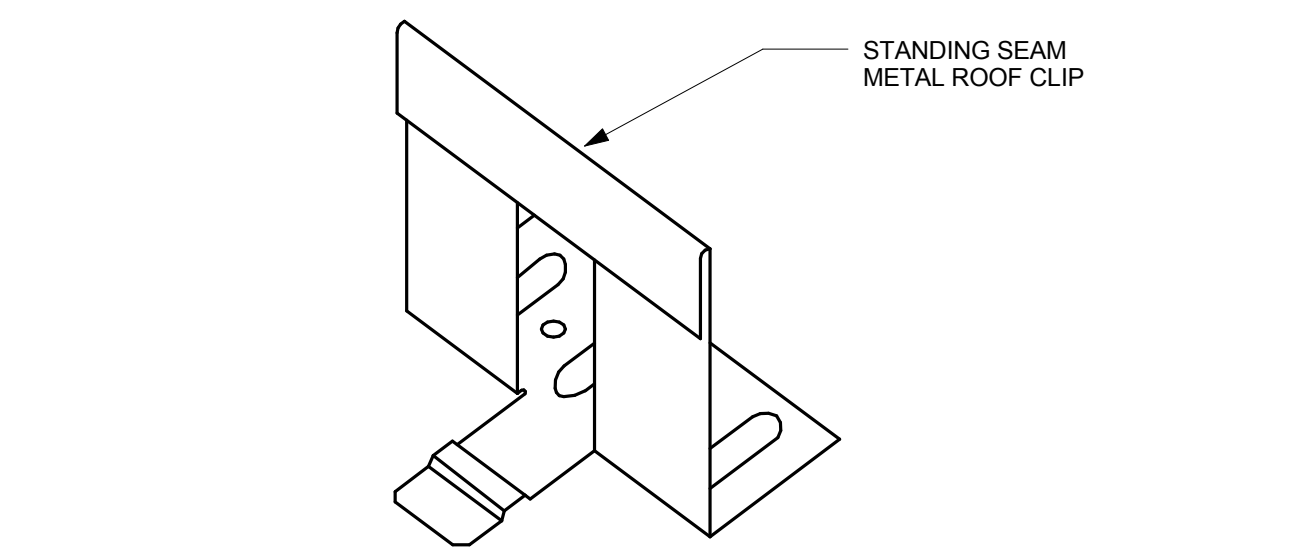
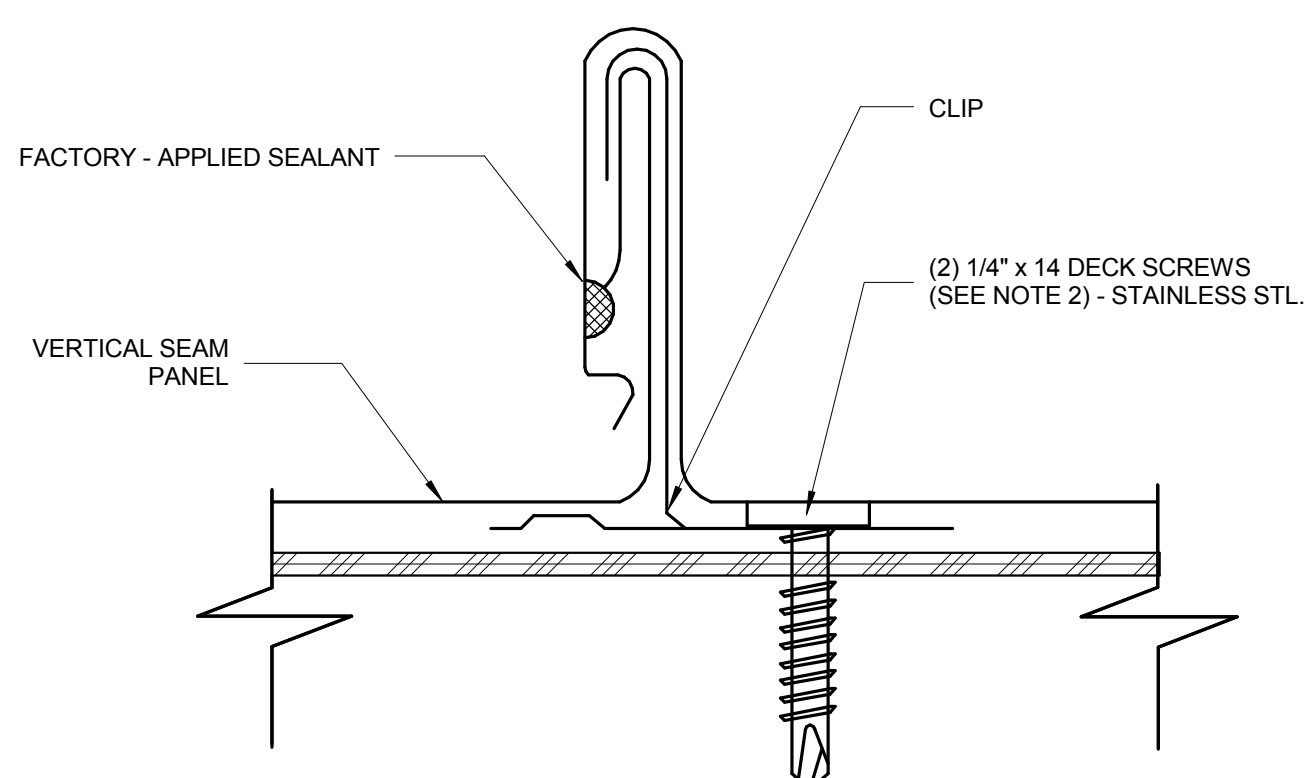
MOUNTING PLATE 23



EXTERIOR F.A. DEVICE & BLDG SIGNAGE 22



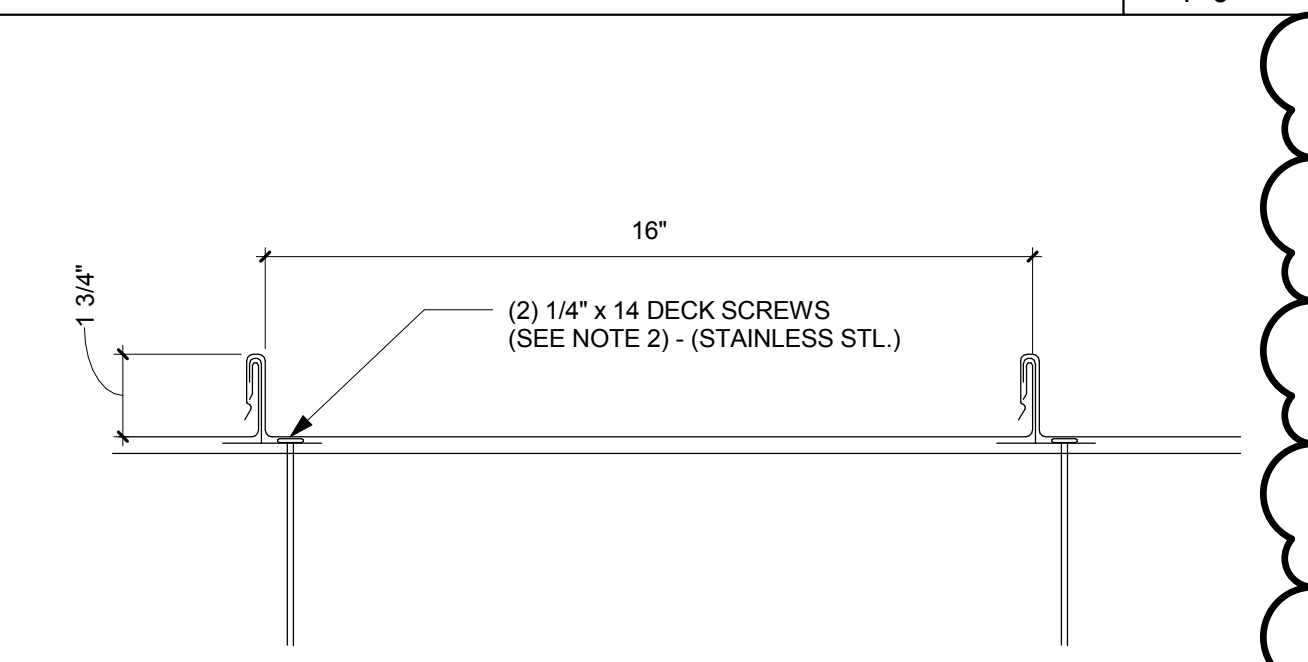
EXTERIOR LIGHT FIXTURE 21



SECTION PROPERTIES		TOP IN COMPRESSION		BOTTOM IN COMPRESSION		ALLOWABLE UNIFORM LOADS, PSF	
GA	WIDTH	YIELD	WEIGHT	TOP IN	BOTTOM IN	INWARD	OUTWARD
IN	KSI	PSF	IN/4FT	IN/3FT	IN/4FT	IN/3FT	
22	16	50	1.66	0.1230	0.0822	0.0585	0.0579
				lx	lx	lx	lx
				IN/4FT	IN/3FT	IN/4FT	IN/3FT
				3.5'	3.5'		

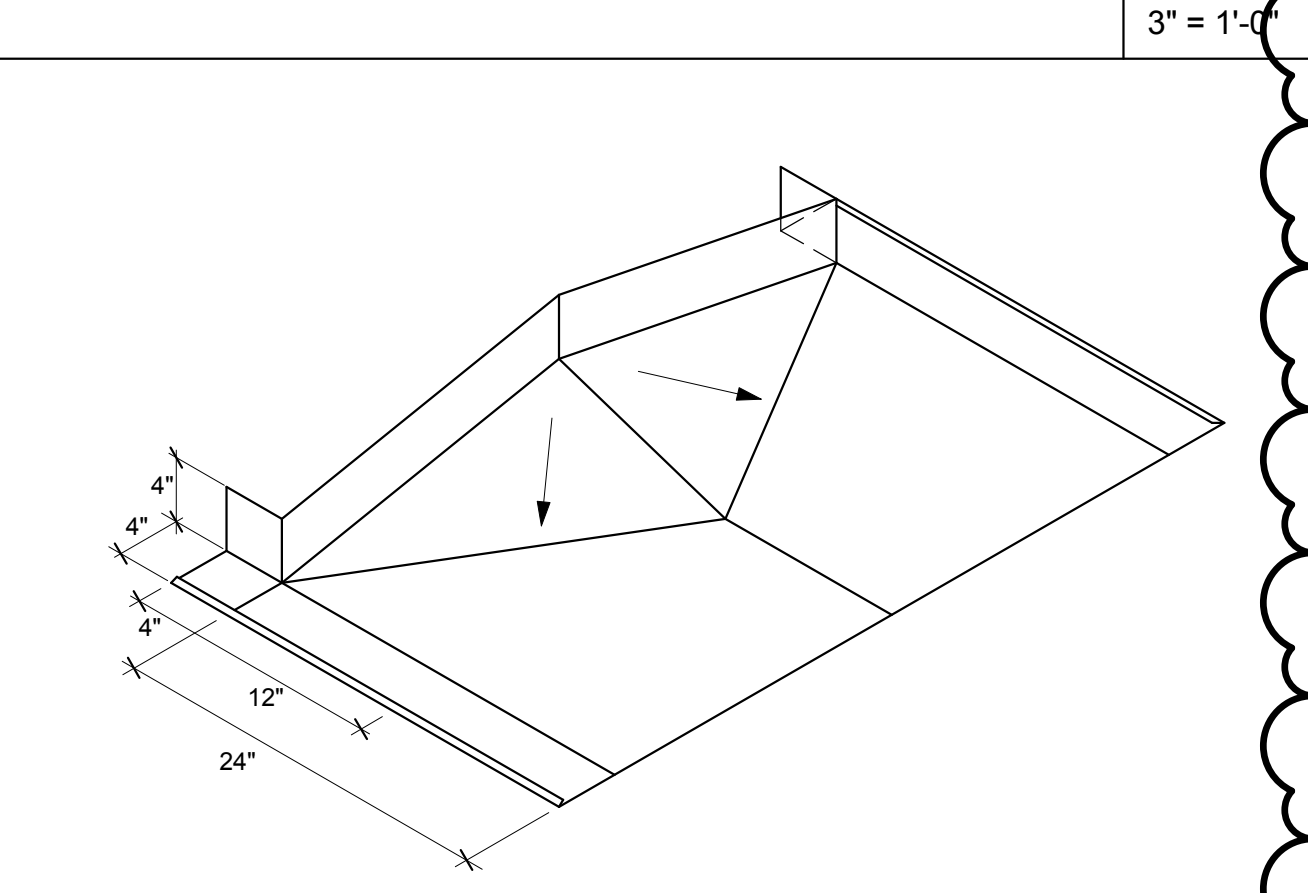
NOTE:  
 1. REFER TO ICC-ES ESR-2385 & UL NO. 580  
 2. LENGTH OF DECK SCREW DEPENDS ON TOTAL THICKNESS OF ROOF ASSEMBLY.  
 3. FOR ADDITIONAL INFORMATION REFER TO DETAIL.  
 4. CLIP UL90

STANDING SEAM METAL ROOF CLIP 19

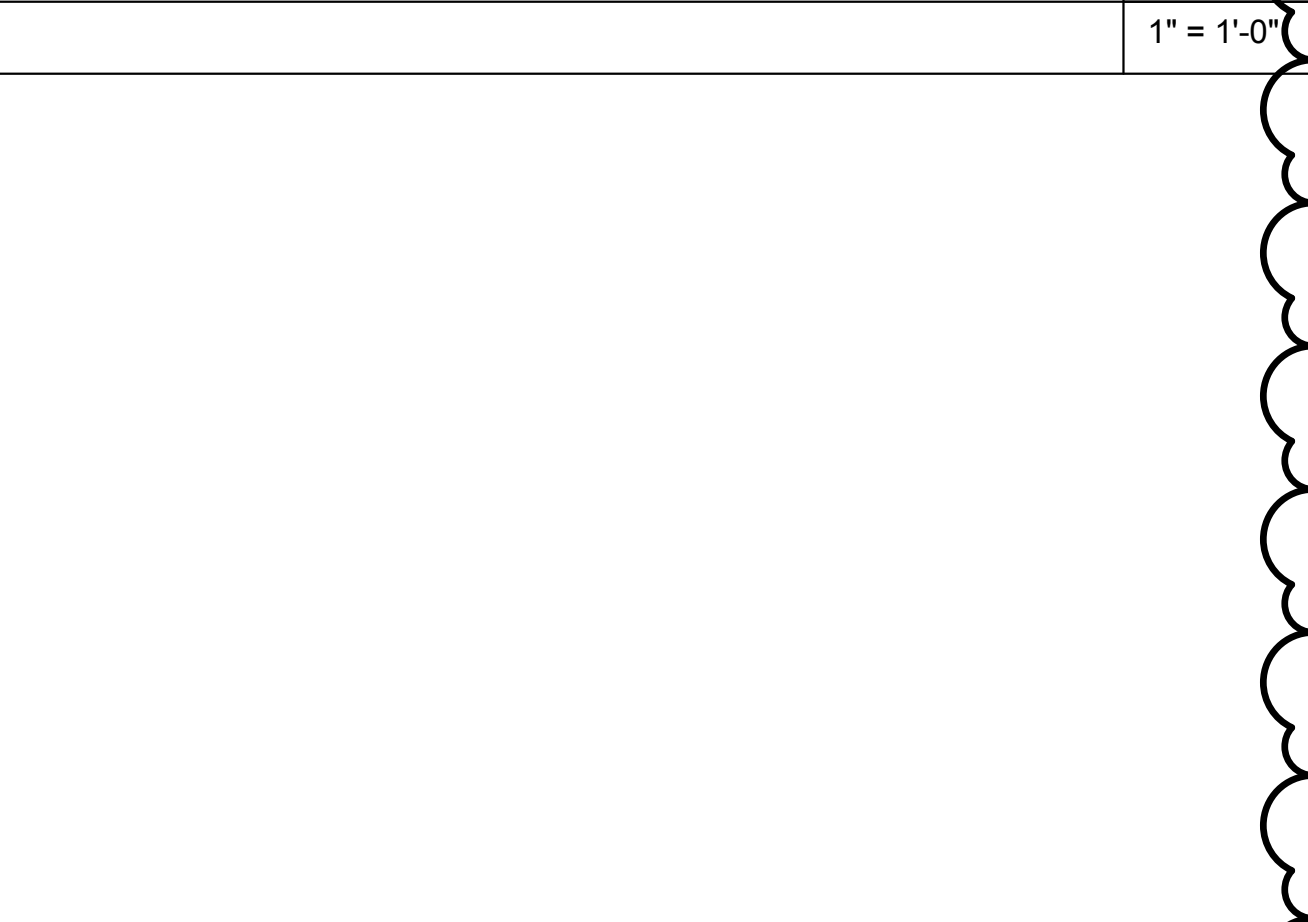


NOTE:  
 1. REFER TO ICC-ES ESR-2385 & UL NO. 580  
 2. LENGTH OF DECK SCREW DEPENDS ON TOTAL THICKNESS OF ROOF ASSEMBLY.  
 3. FOR ADDITIONAL INFORMATION REFER TO DETAIL.

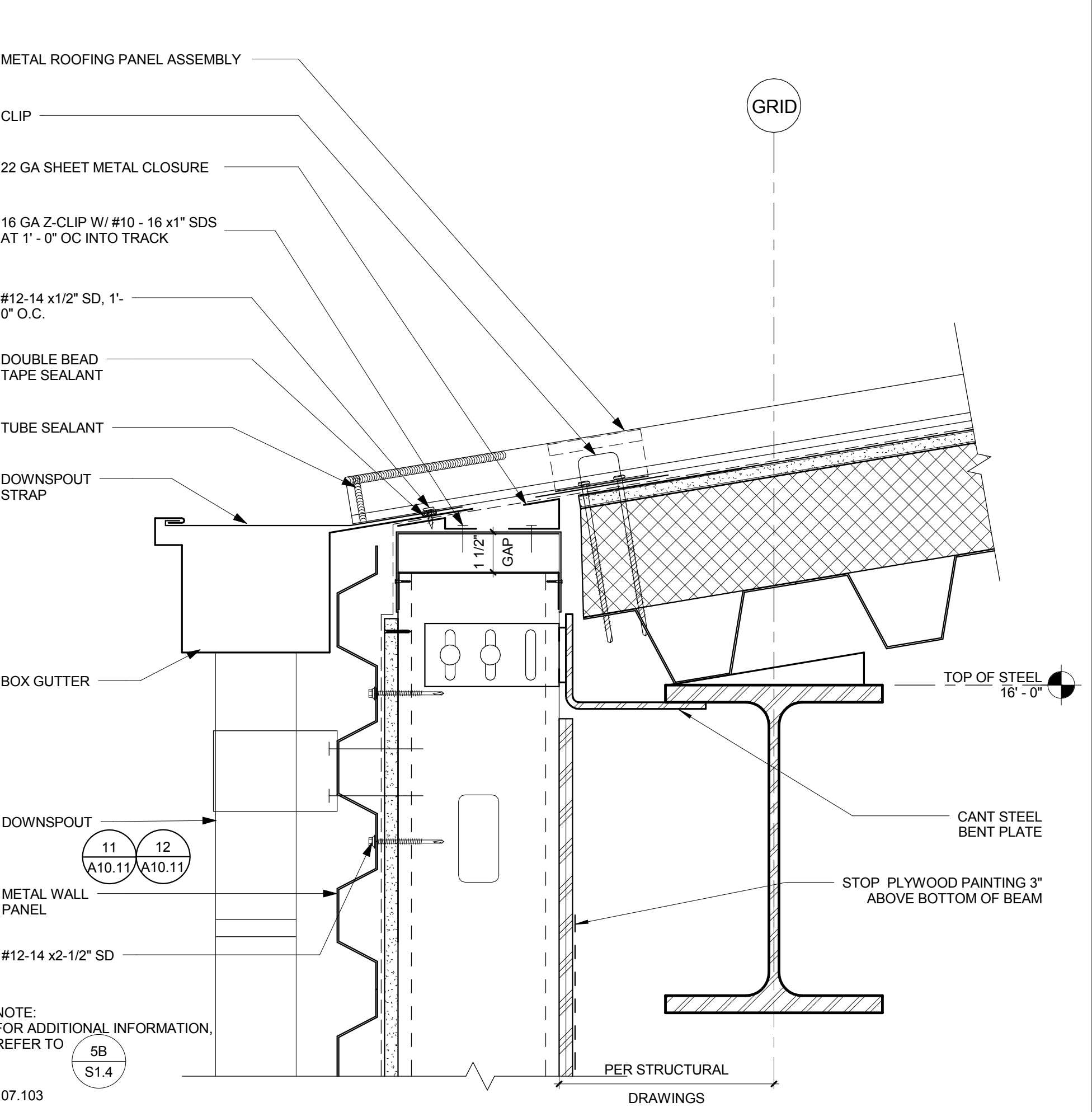
STANDING SEAM FASTENING PATTERN 18



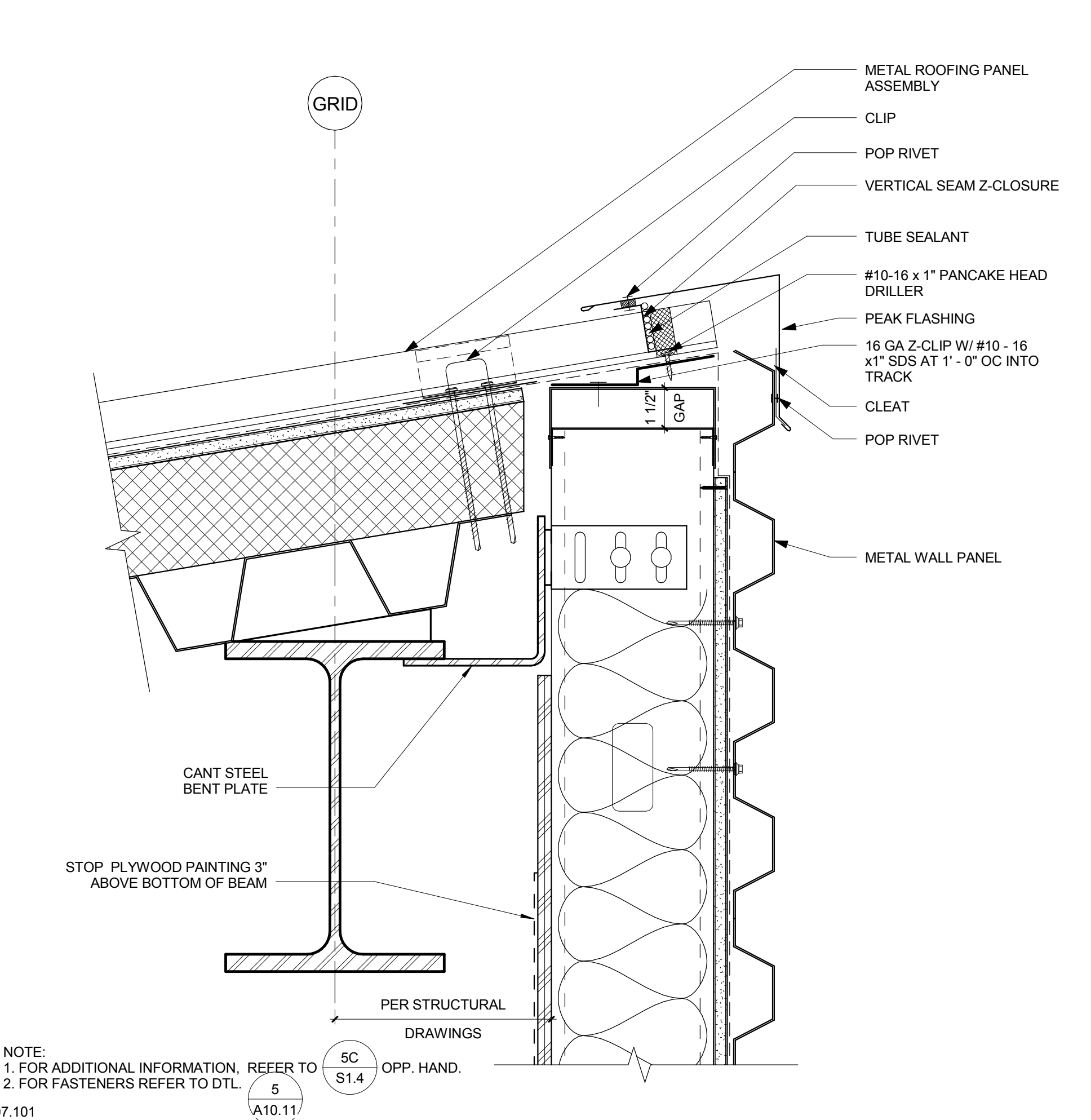
CRICKET FLASHING AT SKYLIGHT 17



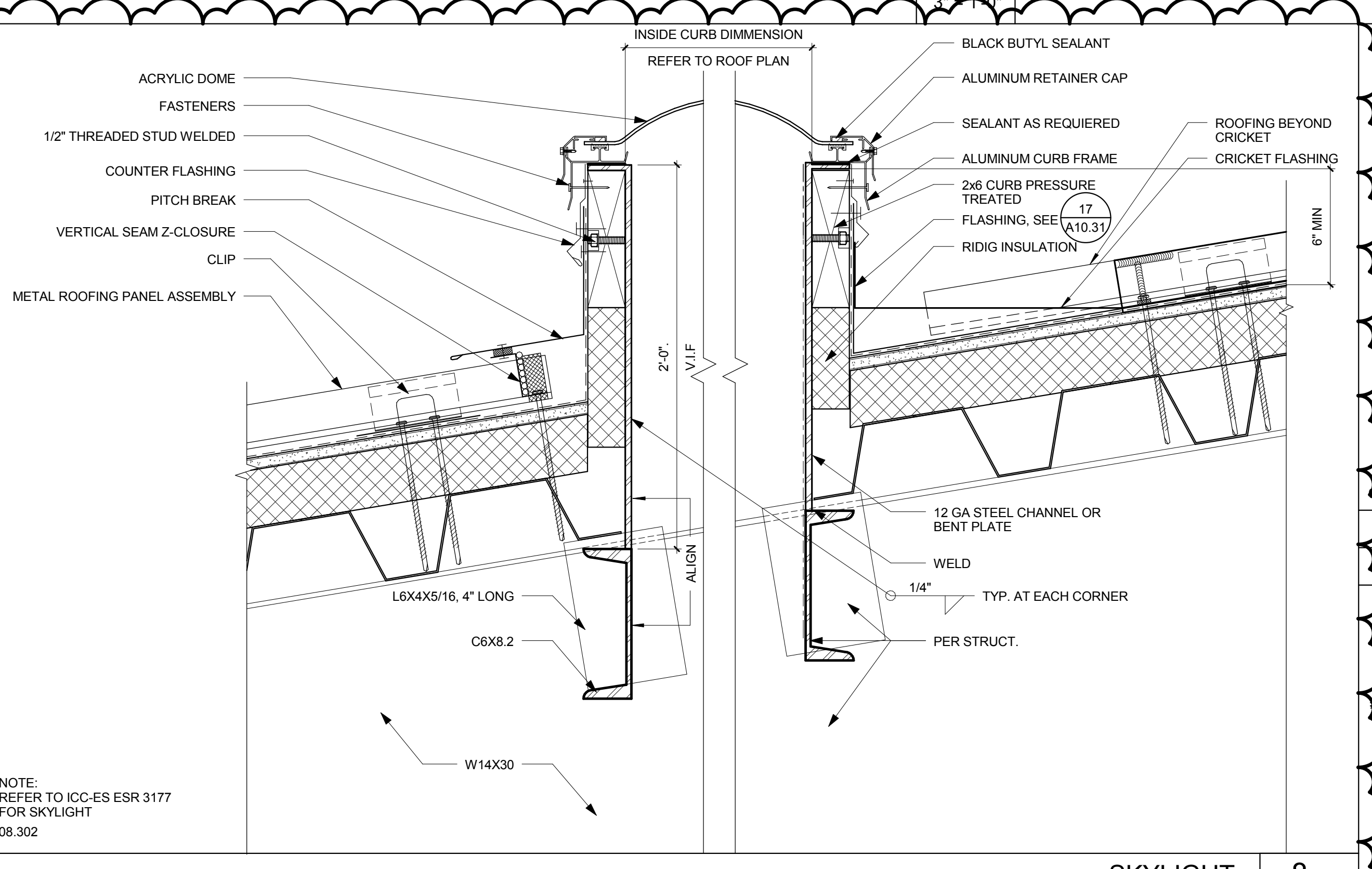
NOT USED 16



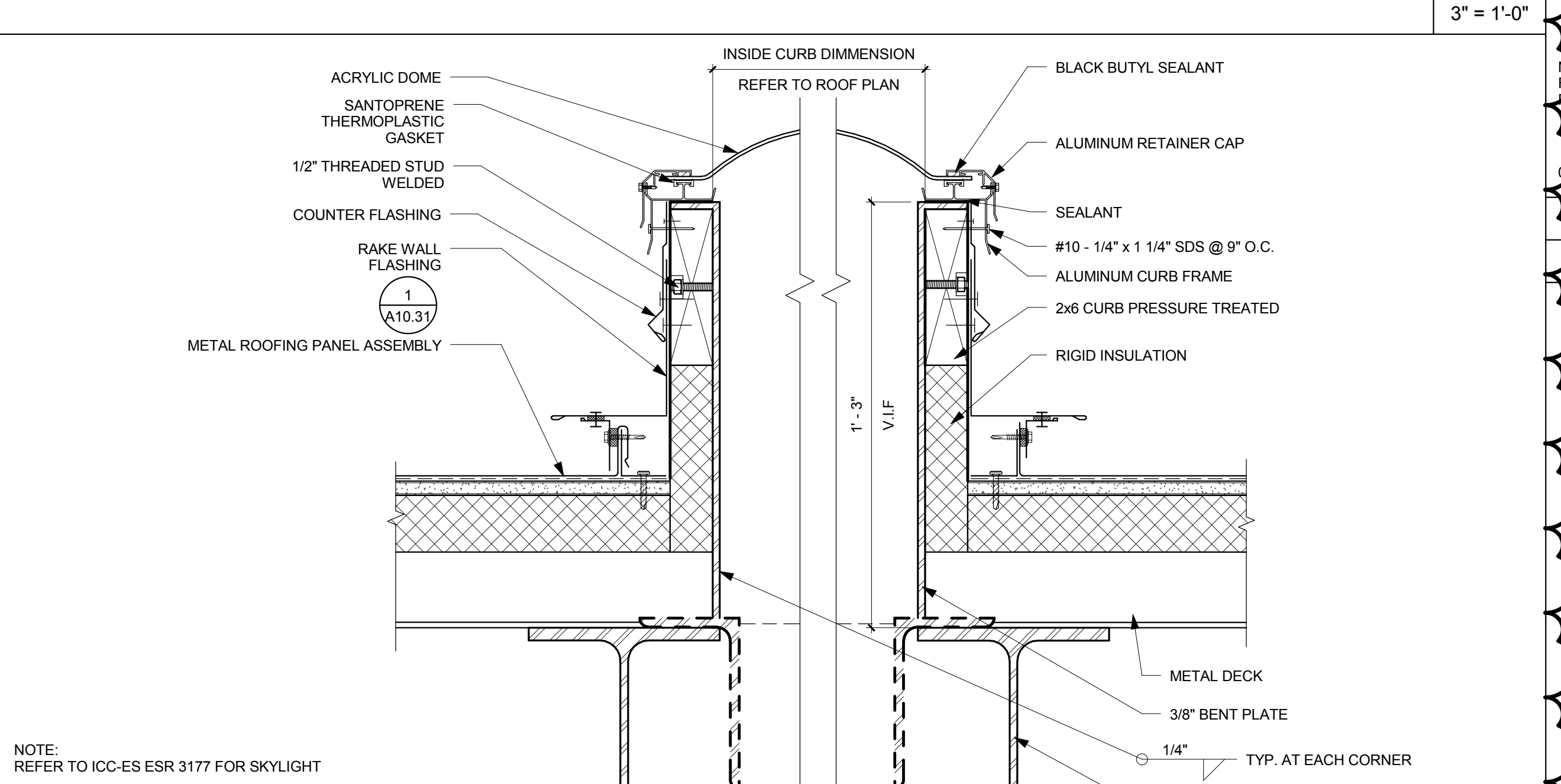
STANDING SEAM METAL ROOF - EAVE 9



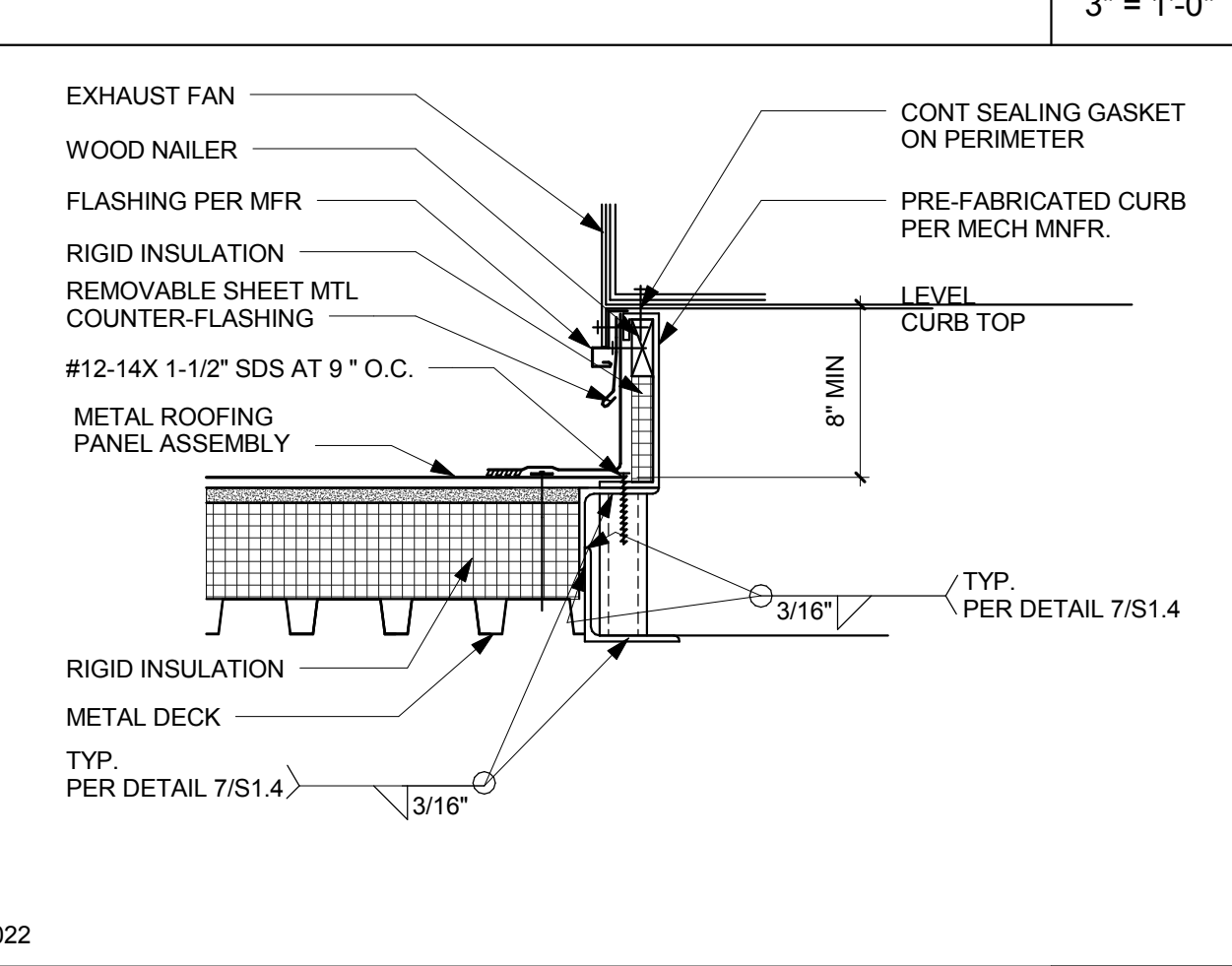
STANDING SEAM METAL ROOF - PEAK 4



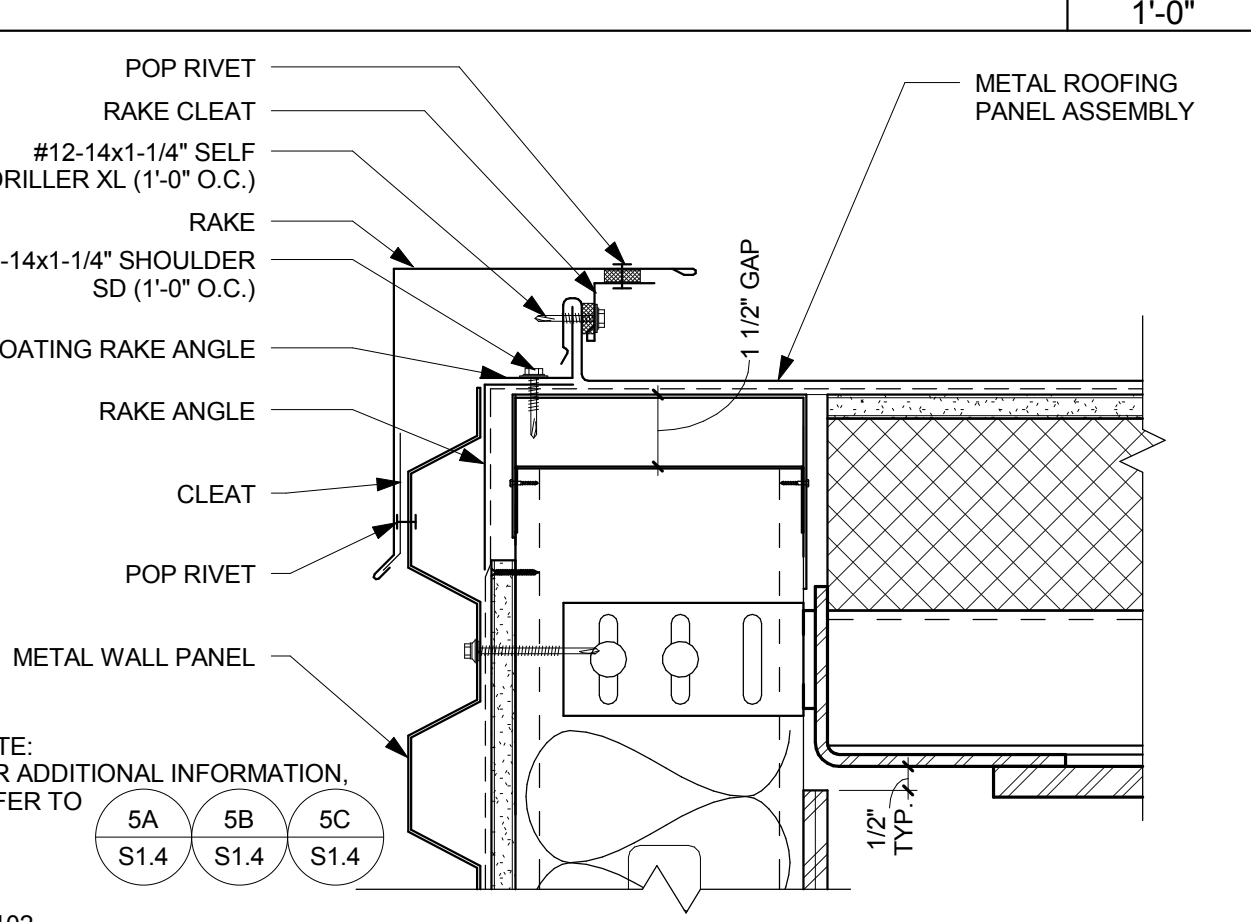
SKYLIGHT 8



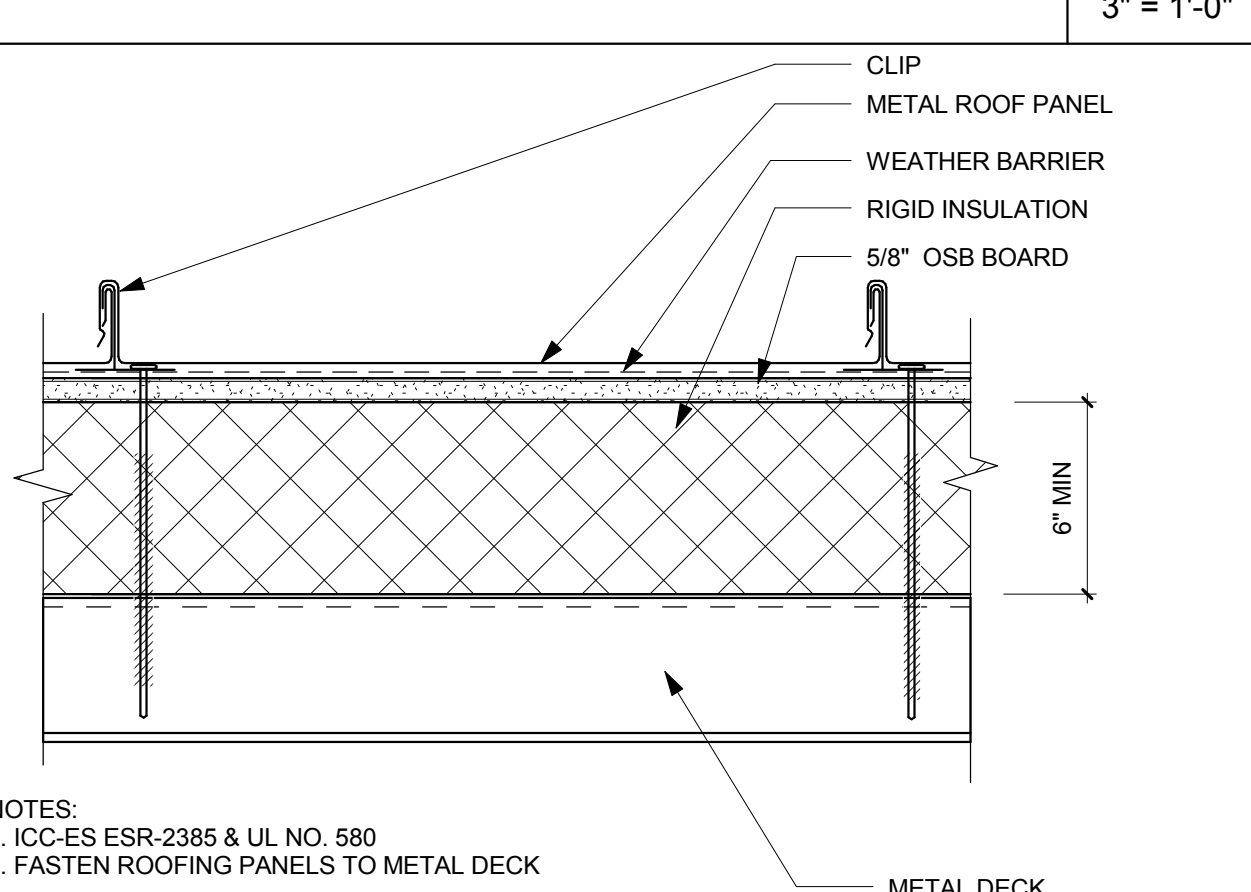
SKYLIGHT 6



EXHAUST FAN CURB 3



STANDING SEAM METAL ROOF - RAKE 2



METAL ROOFING PANEL ASSEMBLY 1

Consultant Seal: \_\_\_\_\_ Agency Approval: FILE NO. 37-C1  
 IDENTIFICATION STAMP  
 DIV. OF THE STATE ARCHITECT  
 APPL. 04-115420  
 ACS: \_\_\_\_\_ FLS: \_\_\_\_\_ SSS: \_\_\_\_\_  
 DATE: \_\_\_\_\_

Project Title: PALOMAR COLLEGE NEW STORAGE BUILDINGS  
 1140 W. MISSION RD., SAN MARCOS, CA 92069 (760) 744-1150

No.	Description	Date
ADA-2A	PRE-BID RFI NO. 04	10/18/2018

Drawing Title: ROOF DETAILS

Architect's Seal: \_\_\_\_\_  
 Designed: DS Project No. 3443001-302  
 Drawn: VH,GS Scale: As indicated  
 QA/QC: KS Drawing No. A10.31  
 Date: 10/18/2018